

Features

- Round basin.
- Overflow drain.
- No faucet holes; requires wall- or counter-mount faucet.
- Fits standard 14" x 17" (356 x 432 mm) countertop cutout.

Material

- KOHLER® enameled cast iron.

Installation

- Undermount.

Recommended Products/Accessories

- K-9018 P-Trap
- K-23726 Drain treatment
- K-23725 Cast iron cleaner

Included Components

- Additional Components:
- Hardware kit



ADA **CSA B651**

Codes/Standards

ASME A112.19.1/CSA B45.2
ADA
ICC/ANSI A117.1
CSA B651

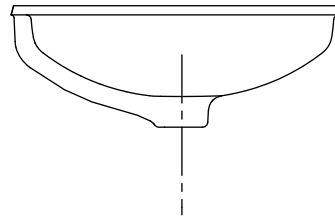
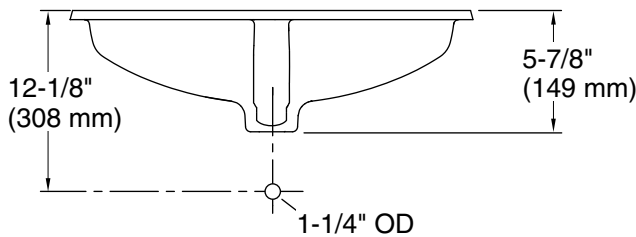
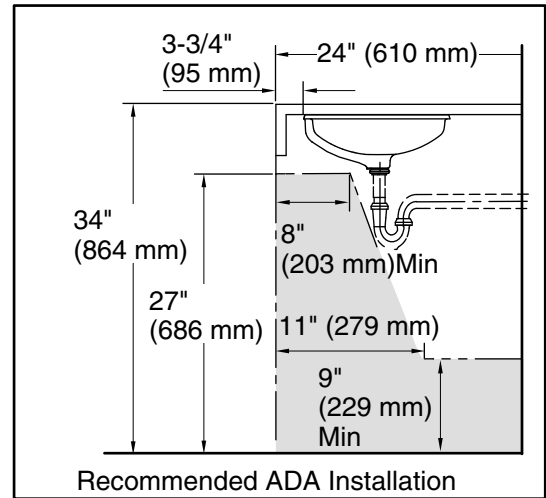
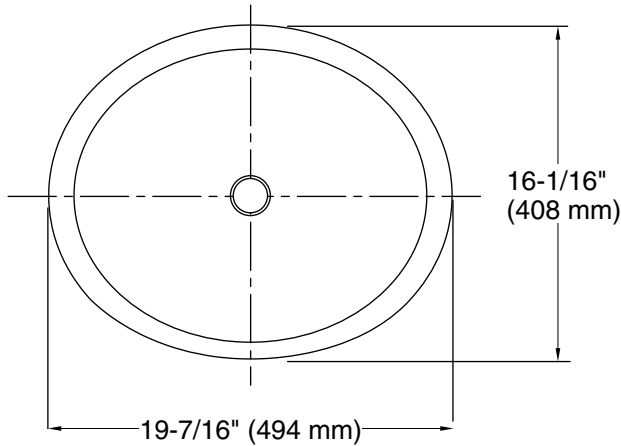
Lifetime Limited Warranty for KOHLER® Cast Iron Components

See website for detailed warranty information.

Available Colors/Finishes

Color tiles intended for reference only.

Color	Code	Description
	0	White
	FF	Sea Salt™
	96	Biscuit
	47	Almond
	NY	Dune
	95	Ice™ Grey
	FT	Basalt
	58	Thunder™ Grey
	RR	Ember™
	J14	Piccadilly Yellow
	J15	Greenwich Green
	J16	Palermo Blue
	J17	Annapolis Navy
	00	Suede



Technical Information

All product dimensions are nominal.

Installation:	Under-mount
Bowl area:	Length: 17" (432 mm)
	Width: 14" (356 mm)
	Bowl depth: 3-15/16" (100 mm)
	Water depth: 2-5/8" (67 mm)
Drain hole:	1-5/8" (41 mm)
Template:	1151011-7, required, included

Notes

Install this product according to the installation instructions.

NOTICE: Countertop manufacturer or cutter must use the current product template available at www.kohler.com, or by calling 1-800-4KOHLER. Kohler Co. is not responsible for cutout errors when the incorrect cutout template is used.

ADA, CSA B651 compliant when installed to the specific requirements of these regulations.